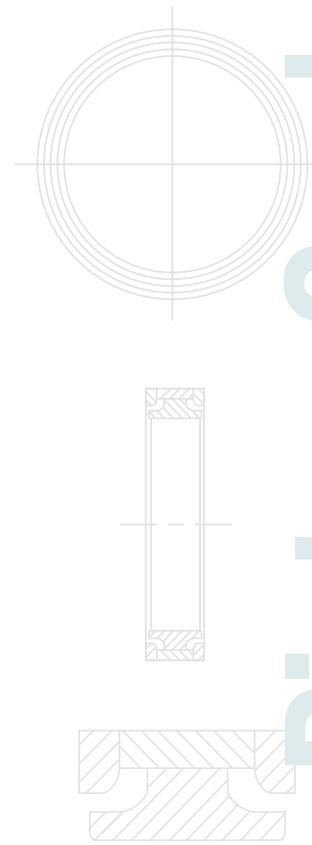


O-Rings & Kits
Wipers
Compounds
Custom Parts
Specialty Parts
Services
Wear Guides
Rod Seals

Piston Seals

QUALITY | VALUE | SERVICE



Piston Seals

Five decades of perfect fits.



You may be in a business with large manufacturing systems, but it can all come down to the quality of a little thing like a seal. In our business, seals are the biggest deal.

We've built a five decade reputation for precision, reliability and service, and our dedicated Original Equipment Manufacturers have made All Seals an industry leader in fluid power, chemical processing, agricultural, food & beverage, plumbing and numerous other markets.

We're as demanding of our supplies as you are of yours. We source our products from around the world, and we've developed exceptionally strong relationships with a diverse supplier roster.

Custom needs? We can help you with engineering, prototyping, testing and industry certification, no matter how challenging your project. Our one-stop efficiencies also include JIT/Kanban programs, pre-production and kitting, special marking and packaging options and more.

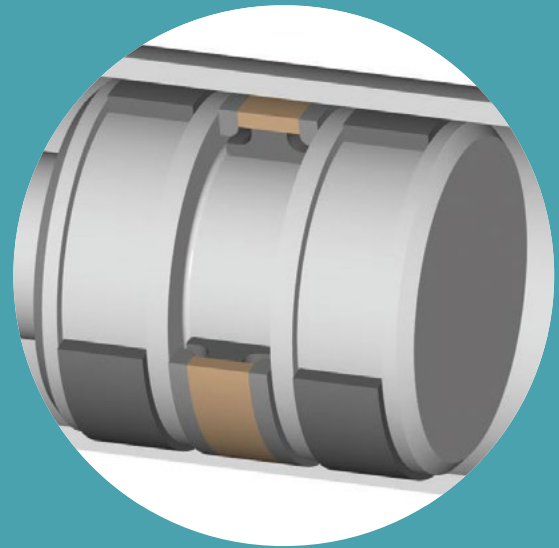
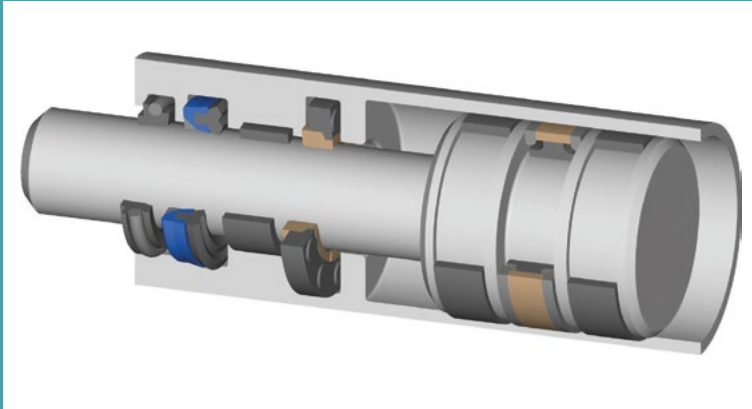
For more information, quick quotations, expert consultation and responsive customer service call us at 800.553.5054, or visit our website at www.allsealsinc.com.

PISTON SEALS

LOADED U-CUP	PRESSURE 6,000 PSI	MATERIALS Urethane HP Urethane Hytrel™ Nitrile Viton™ EPDM	FEATURES Rectangular seal Scraper lip	APPLICATIONS Mobile hydraulic Agricultural General industrial Low pressure sealing
	TEMPERATURE RANGE -50° – +250° F			
	VELOCITY 3.2 feet/sec			
ASSYMETRICAL UNLOADED U-CUP	PRESSURE 5,000 PSI	MATERIALS Urethane HP Urethane Hytrel™ Nitrile Viton™ EPDM	FEATURES Improved seal stability Improved wear resistance	APPLICATIONS Agricultural General industrial
	TEMPERATURE RANGE -50° – +250° F			
	VELOCITY .07 feet/sec			
PTFE	PRESSURE 5,000 PSI	MATERIALS Glass filled PTFE Moly PTFE Carbon Graphite PTFE Bronze PTFE	FEATURES Low friction Long service life	APPLICATIONS Mobile hydraulic Agricultural General industrial Heavy duty
	TEMPERATURE RANGE -65° – +400° F			
	VELOCITY 3.2 feet/sec			
T-SEAL	PRESSURE 5,000 PSI	MATERIALS Nitrile Viton™ EPDM HNBR Backup: Nylon Backup: PTFE Backup: PEEK	FEATURES Square seal for stability Low pressure sealing Anti extrusion rings Dynamic sealing surface	APPLICATIONS Retrofit standard industrial O-Ring grooves Limited axial length Wide base available
	TEMPERATURE RANGE 65° – +400° F			
	VELOCITY 0.4 feet/sec			



Viton™ is a trademark of The Chemours Company FC, LLC.



QUALITY | VALUE | SERVICE

O-RING LOADED PISTON SEAL	PRESSURE 5,000 PSI	MATERIALS Urethane HP Urethane Hyrel™	FEATURES Square seal Back beveled lip Energized seal Retrofit Mil-G-5514F O-Ring grooves Low pressure seal ability	APPLICATIONS Mobile hydraulic Agricultural Heavy duty Vacuum High pressure Bi-directional sealing Heavy duty hydraulic
	TEMPERATURE RANGE -50° – +250° F			
	VELOCITY 0.3 feet/sec			
URETHANE PISTON SEAL	PRESSURE 6,000 PSI	MATERIALS Urethane	FEATURES Bi-directional sealing Grooves prevent blow-by Energized seal	APPLICATIONS Earthmoving equipment Forklift Agricultural equipment Stabilizer Standard hydraulic cylinders Cranes Presses
	TEMPERATURE RANGE -65° – +250° F			
	VELOCITY 0.7 feet/sec			
CAPPED T-SEAL	PRESSURE 10,000 PSI	MATERIALS Nitrile Viton™ EPDM HNBR Backup: Nylon Backup: Delrin Cap: PTFE Cap: filled PTFE	FEATURES Low pressure sealing Long life Low friction Anti extrusion rings Dynamic sealing surface	APPLICATIONS Mobile hydraulic Heavy duty
	TEMPERATURE RANGE -65° – +400° F			
	VELOCITY 3.2 feet/sec			
GROOVED PISTON SEAL	PRESSURE 5,000 PSI	MATERIALS Nitrile Viton™ Bronze PTFE Glass/Moly PTFE Graphite PTFE Carbon Graphite PTFE	FEATURES Bi-directional sealing Grooves prevent blow-by Energized seal	APPLICATIONS Piston accumulators Medium duty hydraulic cylinders General purpose High temperature High pressure Low speed rotary
	TEMPERATURE RANGE -65° – +400° F			
	VELOCITY 0.7 feet/sec			

NOTE: Capabilities shown in this brochure are directly related to design tolerances. Please consult with All Seals for your specific application.

Piston Seals



CALIFORNIA

20762 Linear Lane
Lake Forest, CA 92630
800.553.5054 TOLL FREE
714.556.4931 PHONE
714.557.3257 FAX

TEXAS

4407 Halik Road, Building A
Pearland, TX 77581
800.553.5054 TOLL FREE
281.404.4384 PHONE
281.715.5379 FAX

CONTACT

sales@allsealsinc.com
www.allsealsinc.com

© 2015, All Seals, Inc. Rev 12.16

WARRANTIES All Seals, Inc. warrants the products to be free of defects in materials and workmanship (as defined by the engineering print or standard industry specification) for a period of ninety (90) days. Should the product(s), in All Seals' opinion, malfunction during the warranty period, All Seals, Inc. will, at its option, repair or replace the defective product(s) at no charge provided that the product(s) have not been subjected to misuse, abuse, or non-All Seals-authorized alternations, modifications, or repairs. All Seals, Inc. provides only the warranties set forth herein. All other warranties, expressed or implied, including but not limited to the warranties of merchantability and fitness for a particular purpose, are excluded in the event the product(s) provided herein malfunction. Buyer's sole remedy shall be repair or replacement as provided above. Under no circumstances shall All Seals, Inc. be liable in any way to the buyer or user for any damages, including any lost profits or other indirect, special, incidental or consequential damages of any kind or nature, arising out of use of, or inability to use such product.